



BrightLine[®]
FILTER MEDIA PERFECTED.

ENGINEERED FOR **BETTER**
WATER FILTRATION.

100% recycled glass, Environmentally Safe,
and a better filtration solution



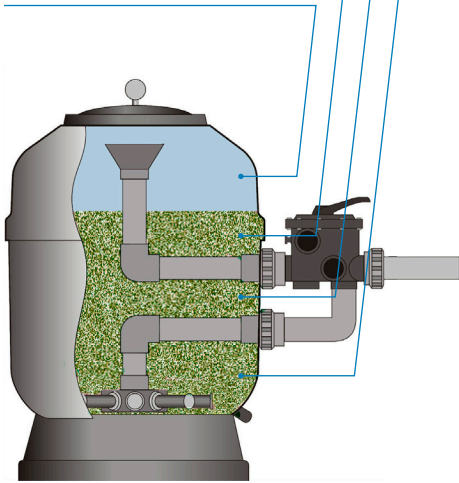
THE BENEFITS ARE **CLEAR**

Uses HALF the amount of water and time to backwash, **saving water and chemicals.**

Does not breakdown like typical sand, and can last up to **3 times longer.**

Quickly and efficiently removes particles as fine as **5 microns.**

20% less dense than typical sand filter media, so less media is required to fill the same space.



Chemical Composition

SiO₂: 73% Al₂O₃: < 2%
Na₂O: 13% MgO: < 1%
CaO: 10% K₂O: < 1%
< 1% crystalline silica

Technical Data

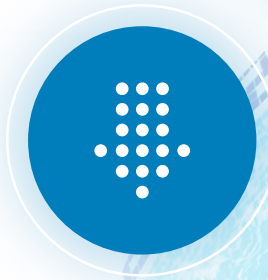
Effective Size: .52mm – .72mm
Uniformity Coefficient: 1.69
Bulk Density: 80 lbs/ft³



Certified to NSF/ANSI Standard 50



Filters 6x better than sand



Requires 20% less product



Can last 3x longer



100% recycled materials



Backwash is quick and efficient

INQUIRIES
1.888.733.3646
reedcs@harsco.com

MORE INFORMATION
www.blackbeautyabrasives.com/brightline-filter-media

